



XS123

SINGLE DRUM ROLLER

• EXCELLENT PERFORMANCE, SUPERIOR ECONOMY AND INCOMPARABLE RELIABILITY.

• ENGINE: CUMMINS QSB4.5

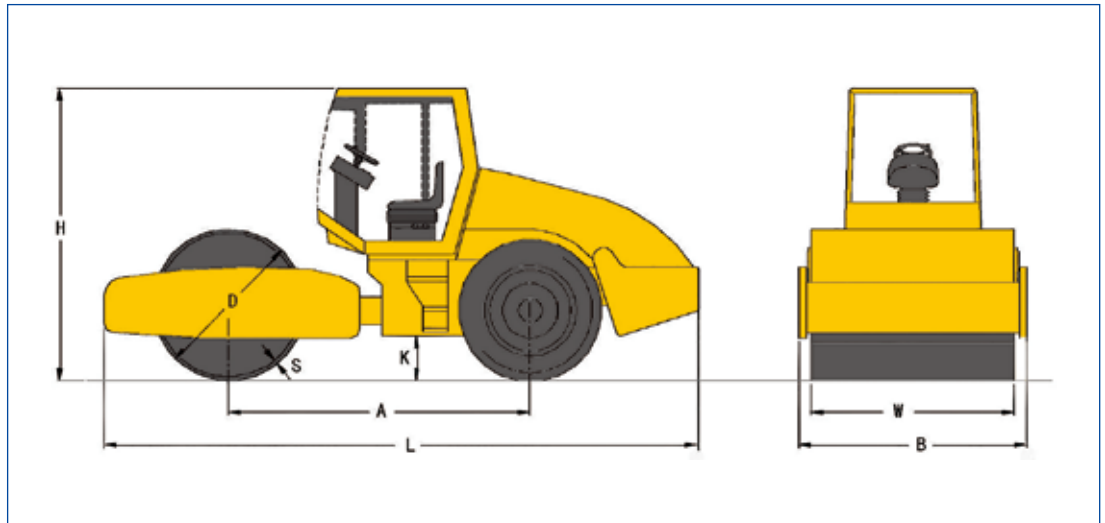
• GROSS POWER: 97KW (130HP) @ 2300 RPM

• DRUM WIDTH: 2130 MM

• OPERATING WEIGHT (INCLUDING ROPS/FOPS CAB): 12400KG



XS123 single drum roller is medium, self-propelled, full-hydraulic vibratory roller, has the big exciting force, high compaction efficiency, good compaction quality, used mainly for compaction operation of base coarse, sub-base coarse, stone filling of high-speed railway, high-grade highway, airport, harbor, dams and industrial construction site.



Shipping Dimensions(mm)	A	B	D	H	K	L	S	W
XS123	3010	2300	1523	3150	393	5970	30	2130

Main Specifications

Item	Unit	Parameters
Operating weight	kg (lbs)	12000 (26667)
Weight at Drum	kg (lbs)	6700 (14889)
Weight at axle	kg (lbs)	5300 (11778)
Static linear load	kg/cm (pli)	31.5 (175.8)
Driving speed (gear I)	km/h (mph)	0~5 (0~3.1)
Driving speed (gear II)	km/h (mph)	0~10.8 (0~6.75)
Theoretical gradeability	%	45
Minimum turning radius	mm (in)	6800 (267.9)
Tire specification		23.1-26-12G23TL
ply rating		12
Air pressure	kPa	150~170
Engine manufacturer		Cummins
Type		QSB4.5
Emission stage		Stage III
Rated power	kW (hp)	97 (130)
Rated speed	rpm	2300
Voltage	V	24
Vibrational frequency	Hz (vpm)	30/35 (1800/2100)
Nominal amplitude	Mm (in)	1.8/0.9(0.071/0.035)
Exciting force	kN (lbs)	280/190(62944/42712)
Engine oil	L (gal)	16.3(4.3)
Fuel tank	L (gal)	240(63.4)
Hydraulic tank capacity	L (gal)	240(63.4)
Coolant	L (gal)	20(5.3)
Front drum chamber	L (gal)	40(10.6)
Front drum reducer	L (gal)	2.7(0.7)

XCMG Regional Departments:

America	(+86-516) 87739285 87739551 87739710	Central Asia	(+86-516) 87739236 87739239 87739538
Africa	(+86-516) 87735009 87739222 87739283	Europe	(+86-516) 87739703 87739271 87739228
Asia-Pacific	(+86-516) 87739128 87739500 87739529	West Asia & North Africa	(+86-516) 87739702 87739202 87739223